

Name: 日本向け
 Date: 標準セッティング
 Track:

VELOX SET-UP SHEET

Track condition:
 Surface: SMOOTH MEDIUM BUMPY
 Size: TIGHT MEDIUM FAST
 Traction: LOW MEDIUM HIGH

Engine

Engine	Muffler	Manifold	Plug

Clutch

Clutch shoe	Centrifugal shoe	Spring

Clutch bell clearance/mm	Adj. nut position/mm

Drive ratio

Pinion 1st	Pinion 2nd	Pulley
<input checked="" type="radio"/> 16 <input type="radio"/> 17	<input type="radio"/> 19 <input checked="" type="radio"/> 20 <input type="radio"/> 21	<input checked="" type="radio"/> 26 <input type="radio"/> 25

Spur 1st	Spur 2nd
<input type="radio"/> 48 <input type="radio"/> 49 <input checked="" type="radio"/> 50	<input type="radio"/> 45 <input checked="" type="radio"/> 46 <input type="radio"/> 47

Tyres

Front left/right	brand	Rear left/right
32 / 32		32 / 32
69 / 69	shore	76 / 76
/	diameter start/mm	/
/	diameter end/mm	/

Body Rony

Body position/mm	Spoiler position/mm
	7

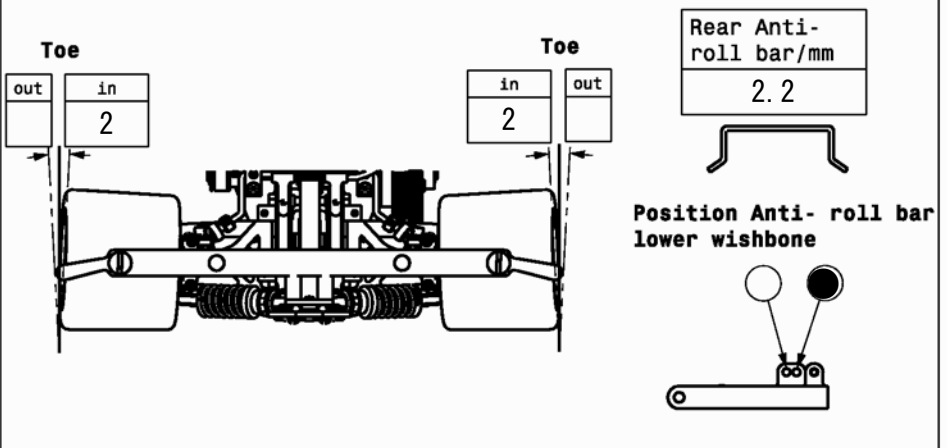
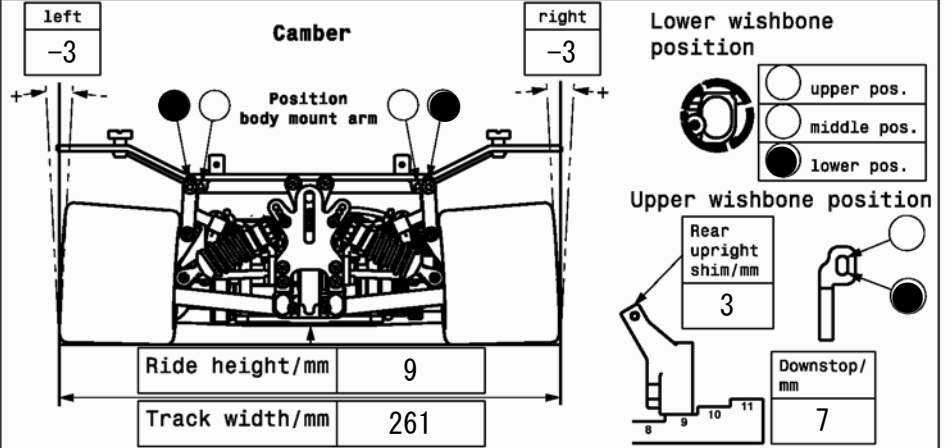
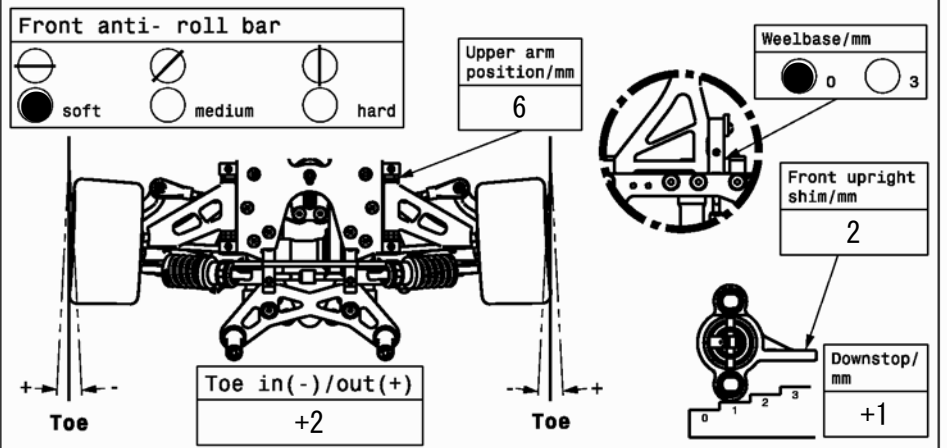
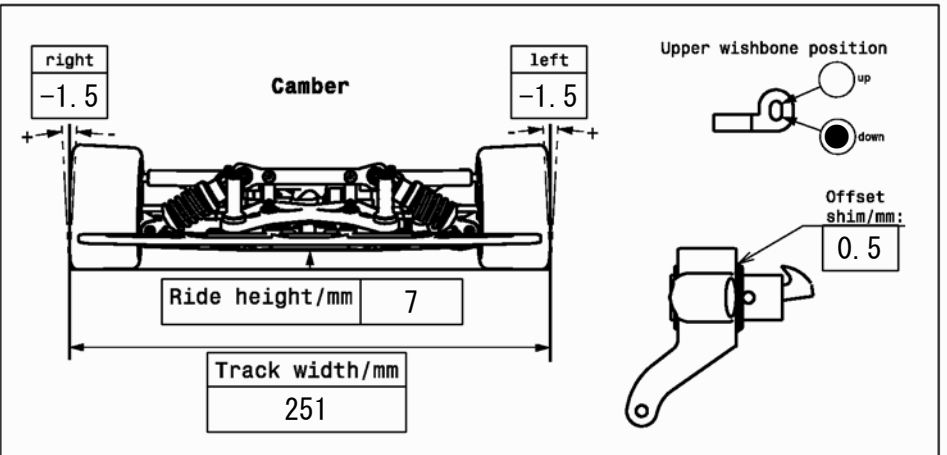
Rear shock

Position	Piston (hole)	Oil	Spring
		400	

Front shock

Position	Piston (hole)	Oil	Spring
		400	

Steering Ackermann



Comments: